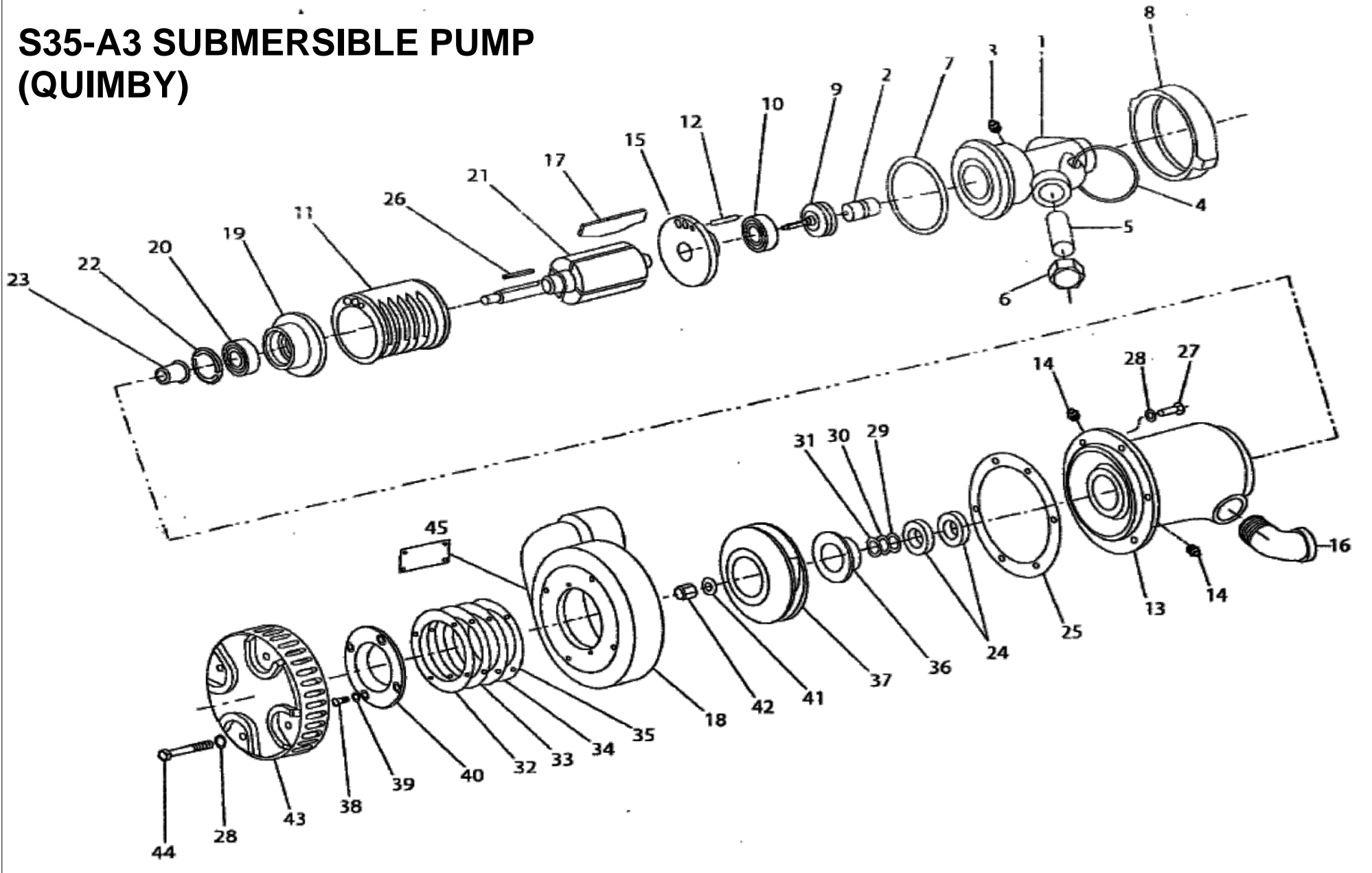


S35-A3 SUBMERSIBLE PUMP (QUIMBY)



S35-A3 SUMP PUMP

| NO. | DESCRIPTION | UNIT | CPN | PART No. | NO. | DESCRIPTION | UNIT | CPN | PART No. |
|-----|---------------------|------|----------|----------|-----|---------------------------|------|-----------------|---------------|
| 1 | BACKHEAD STRAINER | 1 | 91366427 | S35-103 | 25 | GASKET IMPELLER CASE | 1 | 03028917 | P35-113 |
| 2 | GOVENOR VALVE ASSY | 1 | 91366500 | 91266500 | 26 | KEY IMPELLER | 1 | 03029048 | P35-150 |
| 3 | FITTING GREASE | 1 | 03026754 | P25-188 | 27 | BOLT (P35-114) | 6 | 03167319 | DO2-354 |
| 4 | HANDLE | 1 | 90744814 | S35-227 | 28 | WASHER SPRING 3/8" | 10 | 03167194 | DO2-321 |
| 5 | SCREEN AIR STRAINER | 1 | 03201860 | 205-1061 | 29 | SHIM IMPELLER 0,10 | 1 | 03029055 | P35-151-5 |
| 6 | CAP AIR STRAINER | 1 | 90744475 | S35-268 | 30 | SHIM IMPELLER 0,25 | 1 | 03029063 | P35-151-10 |
| 7 | GASKET HOUSING | 1 | 03028784 | P35-43 | 31 | SHIM IMPELLER 0,50 | 1 | 03029071 | P35-151-25 |
| 8 | NUT HOUSING | 1 | 03029170 | P35-282 | 33 | SHIM SUCTION SEAL 0,12 | 1 | 03029006 | P35-145-5 |
| 9 | GOVENOR ASSEMBLY | 1 | 90744400 | S35-424 | 34 | SHIM SUCTION SEAL 0,40 | 1 | 03029014 | P35-145-15 |
| 10 | BEARING ROTOR REAR | 1 | 03157799 | R5H-22 | 35 | SHIM SUCTION SEAL 0,75 | 1 | 03029022 | P35-145-31 |
| 11 | CYLINDER | 1 | 90746017 | S35-3 | 36 | BUSHING IMPELLER HUB | 1 | 91347971 | S35-41 |
| 12 | PIN | 1 | 91363044 | 91363044 | 37 | IMPELLER | 1 | 90744236 | S35-143 |
| 13 | HOUSING MOTOR | 1 | 90743345 | S35-40 | 38 | SCREW SUCTION SEAL | 4 | 03029030 | P35-146 |
| 14 | FITTING GREASE | 2 | 03026754 | P25-188 | 39 | WASHER SPRING 1/4" | 4 | 03036779 | LO1-67 |
| 15 | END PLATE REAR | 1 | 91347997 | S35-12 | 40 | SEAL SUCTION | 1 | 03028974 | P35-144 |
| 16 | ELBOW EXHAUST | 1 | 03029238 | P35-587 | 41 | WASHER IMPELLER | 1 | 03029105 | P35-157 |
| 17 | VANE | 4 | 03157880 | R5H-42 | 42 | NUT IMPELLER | 1 | 03026325 | P25-142 |
| 18 | CASE IMPELLER | 1 | 90743352 | S35-212 | 43 | INLET | 1 | 03026549 | P25-148B |
| 19 | END PLATE FRONT | 1 | 90743543 | S35-11 | 44 | BOLT INLET | 4 | 03028941 | P35-117 |
| 20 | BEARING ROTOR FRONT | 1 | 90743493 | S35-21 | | | | | |
| 21 | ROTOR | 1 | 90743303 | S35-53 | | PUMP COMPLETE | | 90701970 | S35-A3 |
| 22 | RETAINER BEARING | 1 | 90743717 | S35-400 | | | | | |
| 23 | SPACER IMPELLER | 1 | 90743444 | S35-152 | ** | Complete repair tool kit: | | 99959116 | |
| 24 | SEAL WATER | 2 | 03029097 | P35-153 | | | | | |