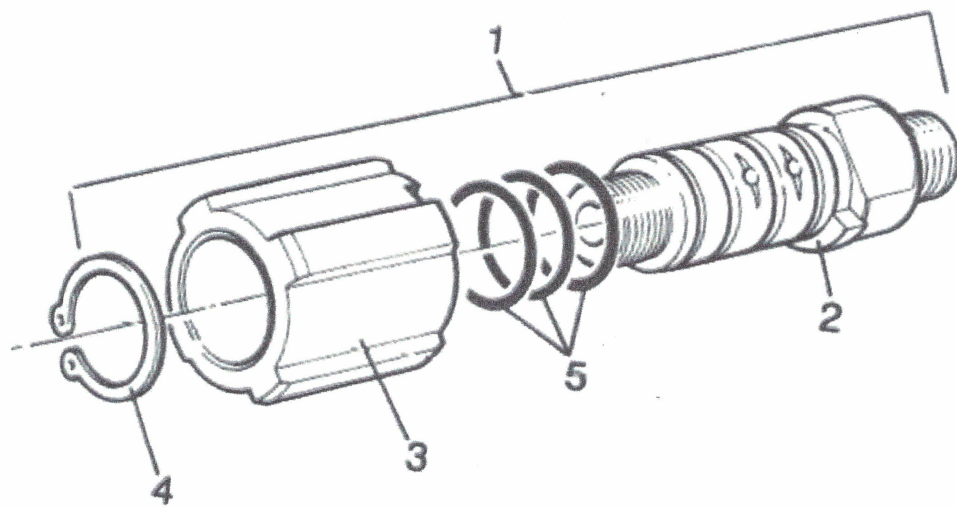


## RETRACTABLE CONTROL VALVE ASSEMBLY



## NON-RETRACTABLE CONTROL VALVE ASSEMBLY

**AIRLEGS**

**63mm BORE DIAMETER**

**51mm BORE DIAMETER**

NR.	DESCRIPTION	NON RETRACTABLE			RETRACTABLE			NON RETRACTABLE			RETRACTABLE		
		RDE NO.	SECO NO.	QTY	RDE NO.	SECO NO.	QTY	RDE NO.	SECO NO.	QTY	RDE NO.	SECO NO.	QTY
1	CONTROL VALVE COMPLETE	A500	B2863	1	A500	B2863	1	A460	B877	1	A500	B2863	1
1 (A)	SPINDLE	A511	A1498	1	A511	A1498	1	A461	B878	1	A511	A1498	1
1 (B)	TWIST GRIP	A564	B1457	1	A564	B1457	1	A562	B879	1	A564	B1457	1
1 (C)	THRUST WASHER	A528	D1591	1	A528	D1591	1	-	-	-	A528	D1591	1
1 (D)	CIRCLIP	A443	199-28	1	A443	199-28	1	A443	199-28	1	A443	199-28	1
1 (E)	O/RING	A444	164-7804	3	A444	164-7804	3	A444	164-7804	3	A444	164-7804	3
1 (F)	SELLOK PIN	A516	300-8-10	1	A516	300-8-10	1	-	-	-	A516	300-8-10	1
1 (G)	SPINDLE NUT WASHER	A436	143-16	1	A436	143-16	1	-	-	-	A436	143-16	1
1 (H)	SPINDLE NUT	A435	D1066	1	A435	D1066	1	-	-	-	A435	D1066	1
1 (I)	ELBOW	A577	247-8P	1	A577	247-8P	1	-	-	-	A577	247-8P	1
2	DROP PIN BOLT & CHAIN	AW14	C8473L	1	AW14	C8473L	1	AW14	C8473L	1	AW14	C8473L	1
2*	CLEVIS(FOR REPAIR ONLY)	AW17	B127	1	AW17	B127	1	AW17	B127	1	AW17	B127	1
3	CLIVE PIN & CHAIN ASSEMBLY, DROP NOSE	AW15	SEE AW14		AW15	SEE AW14							
4	CLEVIS PIN	AW16			AW16								
5	CHAIN, CLEVIS PIN	AW88			AW88								
6	NUT, CLEVIS PIN	AW17		1	AW17		1	AW17			AW17		
7	PIN, SPLIT	AW22		1	AW22		1	AW22			AW22		
8	CLEVIS	AW34		1	AW34		1	AW20			AW20		
9 (A)	PISTON ROD(0.60m STROKE)	AN124	B1186	1	AN224	A1473	1	AN124	B1186	1	AN244	A1473	1
9 (B)	PISTON ROD(1.0m STROKE)	AN140	B752	1	AN240	A1474	1	AN140	B752	1	AN240	A1474	1
9 (C)	PISTON ROD(1.3m STROKE)	AN151	B1341	1	AN251	A1476	1	AN151	B1341	1	AN251	A1476	1
10	TOP CAP, BUSH & HAT PACKING ASSEMBLY	AF621	AF621	1	AF621	AF621	1	AF621	AF621	1	AF621	AF621	1
11	TOP CAP	AF620	C1090	1	AF620	C1090	1	AF510	C1207	1	AF620	C1467	1
12	HAT PACKING	AF380	197-38-54	2	AF380	197-38-54	2	AF380	197-38-54	11	AF380	197-38-54	2
13	BUSH, TOP CAP	AF110	D1069	1	AF110	D1069	1	AF110	D1069	1	AF110	D1069	1
14 (A)	CYLINDER(0.60m STROKE)	AY624	C1138	1	AY624	C1138	1	AY624	C1987	1	AY624	C1987	1
14 (B)	CYLINDER(1.0m STROKE)	AY640	C1131	1	AY640	C1131	1	AY640	C1208	1	AY640	C1208	1
14 (C)	CYLINDER(1.3m STROKE)	AY651	C1251	1	AY651	C1251	1	AY651	C2893	1	AY651	C2893	1
15	HANDLE ASSEMBLY, CARRYING	AH640	B684	1	AH640	B684	1	AH640	B684	1	AH640	B684	1
16	CARRYING HANDLE	AH640	B684	1	AH640	B684	1	AH640	B684	1	AH640	B684	1
17	BOLT	AH501	102-M10-50	2	AH501	102-M10-50	2	AH501	102-M10-50	2	AH501	102-M10-50	2
18	NUT	AH503	121-M10	2	AH503	121-M10	2	AH503	121-M10	2	AH503	121-M10	2
19	WASHER	AH502	143-M10	2	AH502	143-M10	2	AH502	143-M10	2	AH502	143-M10	2
20	BUCKET SPACER UPPER	AN650	D1093	1	AN650	D1093	1	AN650	D1093	1	AN650	D1093	1
21	BUCKET SEAL	AN601	179-64-38.5	1	AN601	179-64-38.5	1	AN601	179-64-38.5	2	AN601	179-64-38.5	1
22	PISTON ROD SPACER	AN650	D1070	1	AN650	D1070	1	AN650	D1070	1	AN650	D1070	1
23	BUCKET SPACER LOWER	AN620	D1070	1	AN620	D1070	1	AN620	D1070	1	AN620	D1070	1
24	DISC WASHER	AN510	D2038	1	AN510	D2038	1	AN510	D2038	1	AN510	D2038	1
25	PISTON ROD LOCKNUT	AN599	D1073A	1	AN599	D1073A	1	AN599	D1073A	1	AN599	D1073A	1
26	SPLIT PIN	AN320	225-M3.2-36	1	AN320	225-M3.2-36	1	AN320	225-M3.2-36	1	AN320	225-M3.2-36	1
27	BOTTOM CAP (2 PRONG)	AF611	C2649	1	AF611	C2649	1	AF611	C2649	1	AF611	C2649	1
27*	CENTRE SPIKE (BOTTOM CAP S PRONG)	AK140	C1258	1	AK140	C1258	1	AK140	C1258	1	AK140	C1258	1
28	BOTTOM CAP (TWIN SPIKE)	AF622	A1303	1	AF622	A1303	1	AF622	A1303	1	AF622	A1303	1
29	FOOT SPIKE	AK190	D1196M	2	AK190	D1196M	2	AK190	D1196M	2	AK190	D1196M	2
30	SPRING WASHER FOR NUT	AK100		1	AK100		1	AK100		1	AK100		1
31	NUT	AK120	128-M16	2	AK120	128-M16	2	AK120	128-M16	2	AK120	128-M16	2
32	BOTTOM CAP (3 PRONG)	AF633	B660	1	AF633	B660	1	AF633	B660	1	AF633	B660	1

**MOST COMMONLY USED**